

## CyberKey, Infrared

Part numbers: CK-IR7  
 CKR-IR7, ROHS Compliant

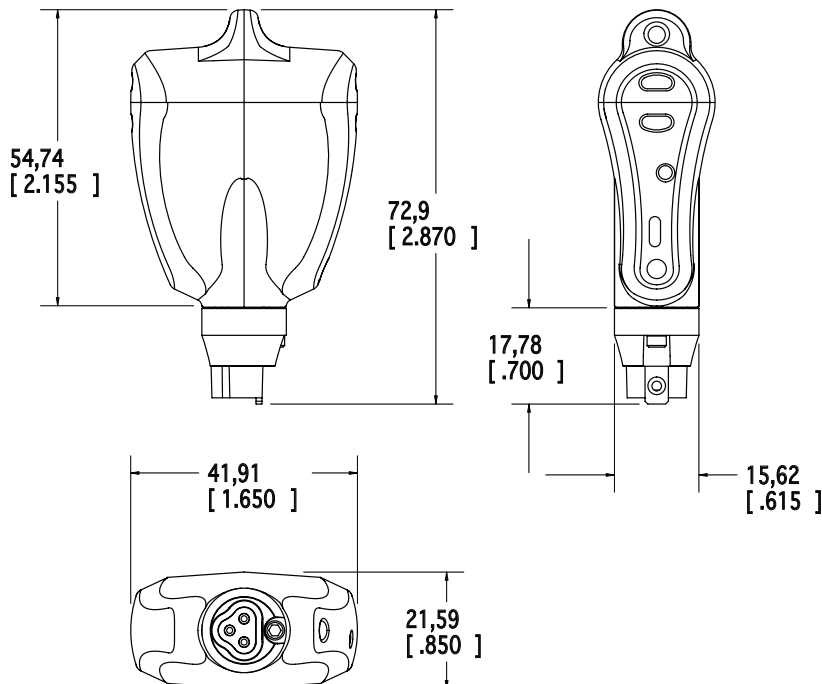


CyberKey is an electronic key that is used to operate CyberLocks. The CK-IR7 CyberKey is made of durable nylon-based plastic and has a replaceable tip. An indicator light shows battery power and key activation. A speaker makes tones indicating access, no access, and communication.

The CyberKey has memory that contains an encrypted access code, a list of locks it may access, schedules of dates and times for accessing locks, and a begin/end date range during which the key will operate. A CyberKey also contains an audit trail of up to 3,900 access events. Each time the key touches a CyberLock, it records the lock ID, date, time, and authorization status.

The CK-IR7 key communicates to the software either through the tip when placed in a CyberKey station or Authorizer Keyport, or by making an infrared connection to an IR device.

The CKR-IR7 is ROHS compliant, meaning this product meets the European standard for lead-free components.



Notes:  
 Dimensions in inches (mm)  
 Drawing not to scale

## Common Hardware Specifications

### Keys

- A key cannot be duplicated
- A key remembers up to 3900 events with date and time
- A standard user key can access up to 3300 locks
- A key contains the scheduled access days & times
- A key holds the battery power source
- Operating temperature: 32° to 122° F; 0° to 50° C

### Locks

- Locks have no keyway to pick
- Locks store the last 1100 events with date and time
- No limit to the number of keys that a lock can support
- Locks are resistant to electrical charge, magnetic force, and torque
- Operating temperature: -40° to 160° F; -40° to 70° C

## CyberLock Management Levels

**EntryPoint™** is a hardware-only system; no software is required. All keys have 24/7 access to all locks. A complete system requires locks, keys, and a Grand Master.

**CyberAudit®-Web Lite** is a PC or Macintosh browser-based software program that installs on a desktop computer with basic access control features. A complete system includes locks, keys, communicators, a Grand Master, and Lite software. Intended for systems up to 50 locks and 50 keys.

**CyberAudit-Web Professional** is a PC or Macintosh browser-based software program that installs on a desktop computer or on a server. Web Professional uses an internet browser to navigate to your hard drive or server within your network. Professional supports a small number of concurrent users when installed on a server. A complete system includes locks, keys, communicators, a Grand Master or CyberLock Programmer, and the Web Professional software. Intended for systems up to 500 locks and 500 keys.

**CyberAudit-Web Enterprise** is browser-based software installed on an application server. A complete system includes locks, keys, the Enterprise server, one or more communication devices, and a Grand Master. Intended for large or geographically widespread installations.

## CyberLock System Features Chart

- Resetting locks and adding or deleting keys to a system is done via the software; no need to install new locks or re-key your facility when a key is lost.
- Programmed schedules provide control over specific days and times that a key will operate.
- Holidays may be set as exceptions to the schedules.
- Key expiration dates are managed automatically by software, either with rolling or fixed expiration dates.

|                                | EntryPoint | Lite | Professional | Enterprise |
|--------------------------------|------------|------|--------------|------------|
| CyberLocks®                    | •          | •    | •            | •          |
| CyberKeys®                     | •          | •    | •            | •          |
| CyberPoints®                   |            |      | •            | •          |
| Grand Master Keys              | •          | •    | •            | •          |
| IR Encoder                     |            | •    | •            | •          |
| Web/LAN/Modem Authorizer®      |            |      | •            | •          |
| USB Station                    |            | •    | •            | •          |
| WebStation                     |            |      | •            | •          |
| PDA Cell Phone                 |            |      |              | •          |
| Audit Trail                    |            | •    | •            | •          |
| Schedule Keys                  |            | •    | •            | •          |
| Master Keys                    |            |      | •            | •          |
| Expire Keys                    |            | •    | •            | •          |
| Lost Keys                      |            |      | •            | •          |
| Multiple Key Mode and Delay    |            |      | •            | •          |
| Email Notifications            |            |      | •            | •          |
| Hierarchy of Administrators    |            |      |              | •          |
| Grouping of Locks and People   |            |      | •            | •          |
| Grouping of Access Permissions |            |      | •            | •          |
| User Keys Download Locks       |            | •    | •            | •          |
| User Keys Program Locks        |            |      |              | •          |
| Missions                       |            |      |              | •          |
| Multiple Time Zones            |            |      |              | •          |
| Shared Locks                   |            |      |              | •          |