

# CyberLock Programmer

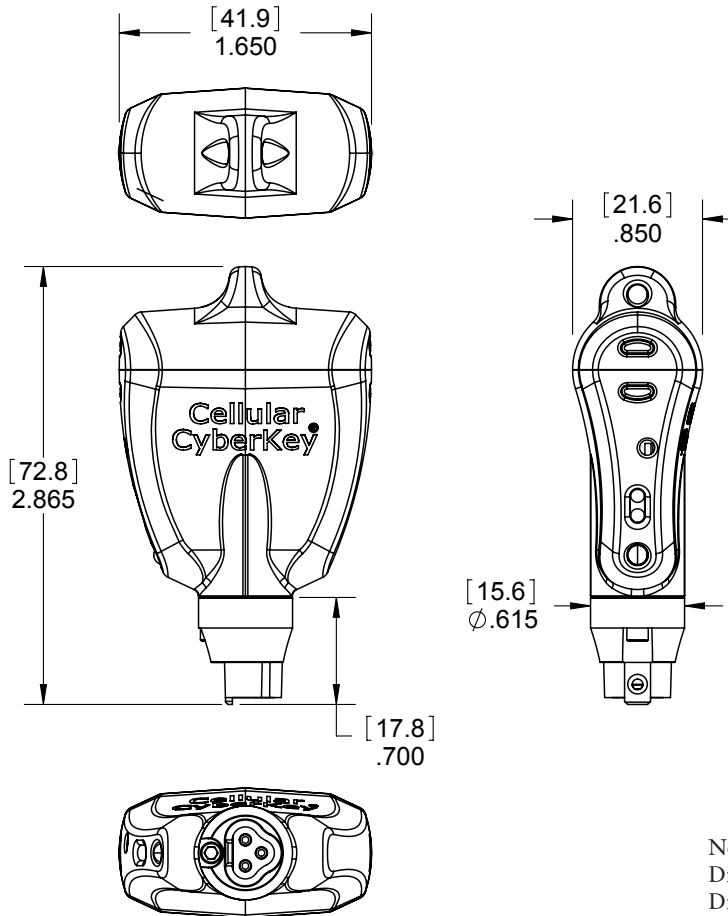
Part number: CK-P4



The Videx CyberLock Programmer is a device that is used to program and download CyberLocks in conjunction with the Professional and Enterprise software solutions. The CK-P4 case is made of a durable nylon-based plastic. An indicator light shows battery power and activation. A speaker makes tones indicating communication and programming status. Although the Programmer resembles a key, it will not open a CyberLock.

The Programmer's memory contains an encrypted access code, a list of locks to program, and the programming instructions for those locks.

The CyberLock Programmer is also used to download the audit trail from a lock.



Notes:  
 Dimensions in inches (mm)  
 Drawing not to scale  
 Ø indicates diameter

## Common Hardware Specifications

### Keys

- A key cannot be duplicated
- A key remembers up to 3900 events with date and time
- A standard user key can access up to 3300 locks
- A key contains the scheduled access days & times
- A key holds the battery power source
- Operating temperature: 32° to 122° F; 0° to 50° C

### Locks

- Locks have no keyway to pick
- Locks store the last 1100 events with date and time
- No limit to the number of keys that a lock can support
- Locks are resistant to electrical charge, magnetic force, and torque
- Operating temperature: -40° to 160° F; -40° to 70° C

## CyberLock Management Levels

**EntryPoint™** is a hardware-only system; no software is required. All keys have 24/7 access to all locks. A complete system requires locks, keys, and a Grand Master.

**CyberAudit®-Web Lite** is a PC or Macintosh browser-based software program that installs on a desktop computer with basic access control features. A complete system includes locks, keys, communicators, a Grand Master, and Lite software. Intended for systems up to 50 locks and 50 keys.

**CyberAudit-Web Professional** is a PC or Macintosh browser-based software program that installs on a desktop computer or on a server. Web Professional uses an internet browser to navigate to your hard drive or server within your network. Professional supports a small number of concurrent users when installed on a server. A complete system includes locks, keys, communicators, a Grand Master or CyberLock Programmer, and the Web Professional software. Intended for systems up to 500 locks and 500 keys.

**CyberAudit-Web Enterprise** is browser-based software installed on an application server. A complete system includes locks, keys, the Enterprise server, one or more communication devices, and a Grand Master. Intended for large or geographically widespread installations.

## CyberLock System Features Chart

- Resetting locks and adding or deleting keys to a system is done via the software; no need to install new locks or re-key your facility when a key is lost.
- Programmed schedules provide control over specific days and times that a key will operate.
- Holidays may be set as exceptions to the schedules.
- Key expiration dates are managed automatically by software, either with rolling or fixed expiration dates.

	EntryPoint	Lite	Professional	Enterprise
CyberLocks®	•	•	•	•
CyberKeys®	•	•	•	•
CyberPoints®			•	•
Grand Master Keys	•	•	•	•
IR Encoder		•	•	•
Web/LAN/Modem Authorizer®			•	•
USB Station		•	•	•
WebStation			•	•
PDA Cell Phone				•
Audit Trail		•	•	•
Schedule Keys		•	•	•
Master Keys			•	•
Expire Keys		•	•	•
Lost Keys			•	•
Multiple Key Mode and Delay			•	•
Email Notifications			•	•
Hierarchy of Administrators				•
Grouping of Locks and People			•	•
Grouping of Access Permissions			•	•
User Keys Download Locks		•	•	•
User Keys Program Locks				•
Missions				•
Multiple Time Zones				•
Shared Locks				•