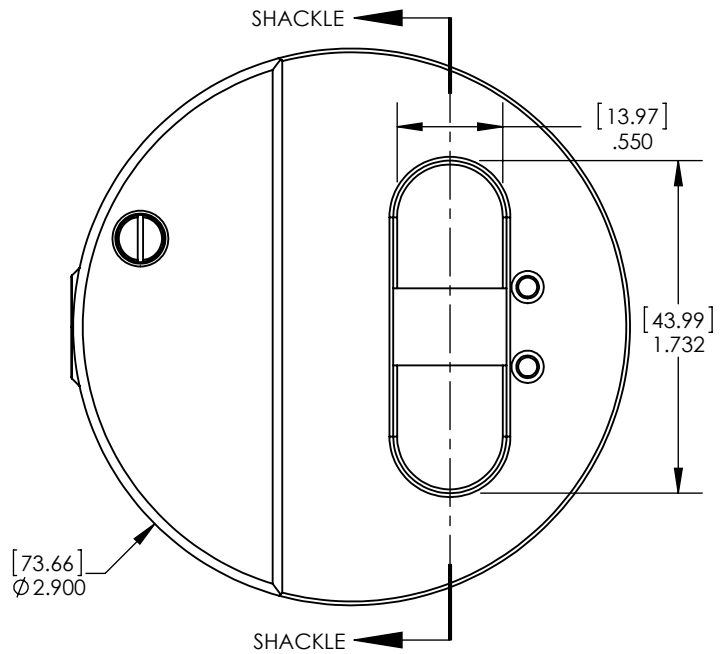
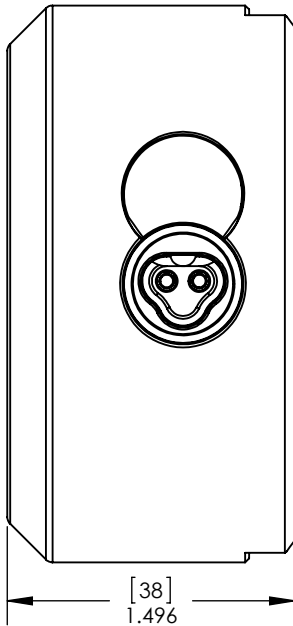


SECTION SHACKLE-SHACKLE



DRAWING LAST SAVED: Friday, February 24, 2012 2:54:14 PM MODEL LAST SAVED: Saturday, April 09, 2011 1:02:42 AM

PART NUMBER	PL-HP1
1105 NE CIRCLE BLVD CORVALLIS OR 97330 (541) 738-5500	Proprietary information of Videx Unlawful to copy, reproduce, or disclose to others by any means without express written consent.

DESCRIPTION
 HIGH-SECURITY PADLOCK, HOCKEY PUCK FORMAT, STAINLESS STEEL BODY

PDF CREATED
 2/24/2012

REV
 A